

NEW



MINI EXCAVATOR | 18Z-1/19C-1/19C-1 PREMIUM

Transport weight: 1755-1868kg Net engine power: 10.8kW



CHOOSING AN EXCAVATOR TO BUY



A COMPACT
R JUST GOT
GHER



THE NEW GENERATION JCB MINI EXCAVATORS HAVE BEEN DESIGNED AND BUILT TO WITHSTAND THE TOUGHEST OF JOB SITES. WITH LONG-LASTING COMPONENTS AND EASY, COST EFFECTIVE REPAIRS, THEY PROVIDE MINIMUM DOWNTIME AND MAXIMUM PROFITS.

Designed to last.

1 Full width rear cast counterweight gives full protection against site damage.

All hydraulic components are assembled within a hydraulic clean room and go through multi-stage hot tests and oil detection processes to ensure reliability.

Improved dig end pins with ARCO coating protects pins against corrosion, helping towards reduced cost of ownership.

2 State of the art manufacturing processes to achieve ultimate build quality, reliability, durability, service life and machine uptime. Our in-house paint process is a case in point, guaranteeing quality and lasting protection.

3 The standard heavy-duty kingpost optimises service life and lowers the cost of ownership due to the durable re-bushable pivots.

4 The top mounted boom ram reduces the risk of damage on site, for instance when loading dumpers.

5 Hoses are routed through the boom, dipper and kingpost for ultimate durability. All three models use O-ring faced seal hydraulics which provides excellent sealing capabilities.



Strong and durable.

6 The 18Z is JCB's first zero tailswing model within its class, it protects the machine and surrounding environment from accidental damage.

7 Solid cast rear door for maximum impact resistance compared to glass reinforced plastic.

8 Three single flanged bottom rollers allied with short pitch tracks ensures a smooth ride. Long pitch rubber or steel tracks are optional for more arduous applications.

9 The strong, durable H frame undercarriage provides rigid support with an open design allowing spoil to fall readily preventing excessive componentry wear.

For ultimate rigidity, the extending undercarriage beams are constructed from 25mm solid steel plate.



CHOOSE EASY.

MOST JOBS ARE HARD ENOUGH WITHOUT THE ADDED STRESS OF DIFFICULT AND FREQUENT SERVICING, HARD TO REACH CLEANING AND OF COURSE UNCOMFORTABLE OPERATING CONDITIONS. THAT'S WHY WE'VE JUST MADE THEM EASY.

Making life easy.

1 Easy pre-start checks allows you to check fluid oil levels whilst an analogue hour meter gives you quick and easy viewing without having to turn the machine on.

Standard two speed tracking is operated by a button on the dozer. Auto kick down is standard on the 19C-1 Premium and optional on the 18Z-1 and 19C-1.

2 New right hand positioned panel with easy button functions, easy to read indicators and warnings allow the operator to always be aware of the machines status as well as potential risks.

3 Electro proportional control as standard on the 19C-1 Premium enables new finer control through an auxiliary thumb switch to allow for precision control of attachments.

All new valve block, spools and floor controls allow for fine control and smooth operation for even the less experienced operator, increasing productivity.



Supporting productivity.

- 4 180° opening bi-fold service door to access all cleaning and maintenance points with a separate, daily checks door.
- 5 Our hydraulic system allows you to travel in a straight line at the same time as selecting excavator functions, increasing productivity.
- 6 Spacious cab with large door entry, excellent visibility and intuitive controls. 24% bigger than the previous model. Easily accessible external lockable fuel tank provides extra security.



CHOOSE SIMPLE.

DESIGNED TO SIMPLY GET ON WITH WORKING, THE NEW GENERATION MINIS ARE ALL DESIGNED WITH YOUR PROFITS IN MIND. WITH A SIMPLE, CLASSIC DESIGN, LOW COST MAINTENANCE AND EASY REPAIRS EQUALS MACHINES TAILORED TO YOUR NEEDS, WHY CHOOSE ANYTHING ELSE?

Bucket rotation is a huge 201°, offering great spoil retention during truck loading, providing total versatility. Dipper lengths are 950mm, 1100mm and 1344mm.



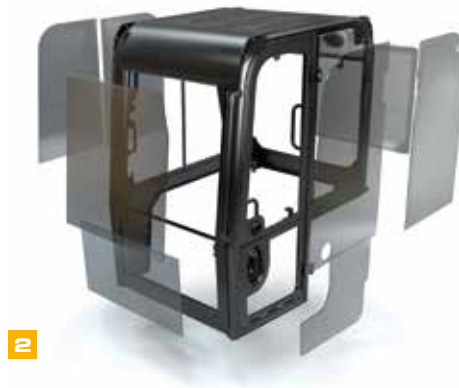
User-friendly environment.

1 Large glass area gives increased visibility. 70/30 split line and clear joining split gives perfect visibility down to the dozer blade.

2 Flat glass which is easier to replace and more cost effective than curved options, with the added benefit of sun reflecting tinted glass for operator comfort.

3 The 19C-1 Premium boasts new Instrumentation with an integrated membrane switch immobiliser pad.

4 Improved 2 speed heater with three multi-positioned vents for ultimate operator comfort.



Ultimate convenience.

5 Graphite impregnated bushes with industries lowest greasing intervals of 500 hours, means no need for daily greasing.

6 Hydraulic connections reduced along with increased straight hoses and combined control valves; all deliver improved hydraulic efficiency and reduced component complexity.

Premium or rental specifications to help choose the right machine. Zero tailswing or Conventional tailswing plus cab or canopy options across the range.

7 Reduced minimum front swing radius for a compact machine that can tuck up to work in the tightest of conditions without compromise to load over height.



CHOOSE QUICK.

WHEN TIME IS MONEY AND GETTING FROM THE LAST JOB TO THE NEXT JOB QUICKER IS A HUGE ADVANTAGE, THE NEW GENERATION MINIS DON'T HANG ABOUT. QUICK CLEANING, TRANSPORTING AND ATTACHMENT CHANGES ALL ADD UP TO BIGGER PROFITS FOR YOU.

Ultimate versatility.

- 1 Industry standard bucket centres and pin sizes (30mm) for maximum attachment versatility.
- 2 Factory ready hydraulic quick hitch circuit on the 19C-1 Premium allows the operator to switch between attachments quickly and safely.
- 3 Choose from JCB's range of specially designed attachments. They provide ultimate performance, full JCB warranty compliance, and optimum fit and operation. Dual hydraulic flow is available as an option.



Low cost of ownership.

4 New dig end geometry allows the machines to load dumpers without the need to re-position speeding up arduous jobs on site.

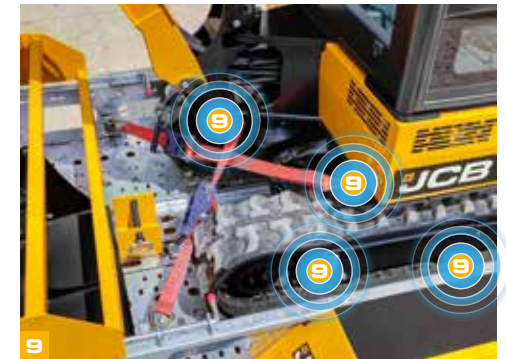
5 Sloping undercarriage track legs gives minimal soil retention and enables fast cleaning.

6 The new dozer geometry allows the blade to become free of material build up. With easy to use swing out dozer wing extensions, there's no need for any tools for operation.

7 No daily greasing with easy to access maintenance and cleaning means quicker turnaround times.

8 With low operating weights, the 18Z-1, 19C-1 and 19C-1 Premium can be easily towed to wherever they're needed.

9 10 tie down and lifting points ensure compliant, speedy machine transportation.



SAFE & SECURE.

WORKING QUICKER IS ALSO ABOUT WORKING SMARTER. AS WORKING CONDITIONS BECOME MORE AND MORE RESTRICTED, SAFETY BECOMES MORE AND MORE IMPORTANT. JCB HAS ALWAYS BEEN AT THE FOREFRONT OF SITE SAFETY AND PROVIDES INNOVATIVE WAYS TO IMPROVE IT.

Work smart.

1 The new cabs are fully ROPS and FOPS compliant, for increased protection laminated glass is available as an option.

2 All services, including tracking and dozer, are isolated when the control pod is raised as an additional safety precautionary measure.

3 Lift overload audible warning system on the 19C-1 Premium ensures maximum stability and safety when working efficiently.

4 A lockable internal toolbox provides safe tool storage on all models.

Optional operator presence and seat belt isolation switches for increased on site safety.



1



2



3



4

Safety does it.

4 Optimum seat position with large glass area and bodywork design combine to give excellent all round visibility for increased on site safety. As a result, the 18Z-1, 19C-1 and 19C-1 Premium do not require mirrors to meet EU regulations.

5 JCB's unique 2GO system gives an additional layer of safety meaning all controls are fully isolated unless the 2GO button is activated.

For increased safety, there is a Thatcham approved immobiliser*, eliminating the possibility of an unauthorised start. Having the software system Livelink and Datatag* on the minis, will allow you to set a geofence and machine working restrictions.

A key benefit of the Livelink and immobiliser combination is the remote pin code management system, which allows you to remotely authorise or deny the usage of the machine. Up to 14 individual pin codes can be programmed into the system, offering the option to customise operator preferences by embedding a separate auxiliary mode in each code (19C-1 Premium only).

* Region specific.



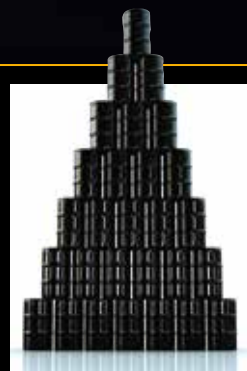
Optional green beacon warning light and high visibility seatbelts available to those wishing to increase on-site safety measures.

LIVELINK, WORK SMARTER.

LIVELINK IS AN INNOVATIVE SOFTWARE SYSTEM THAT LETS YOU MANAGE JCB MACHINES REMOTELY – ONLINE, BY EMAIL OR BY MOBILE PHONE. ACCESS EVERYTHING FROM MACHINE ALERTS TO HISTORY INFORMATION, WITH ALL DATA STORED AT A SECURE CENTRE.

Productivity and cost benefits

By providing information like machine location, Livelink can help improve efficiency and perhaps even reduce insurance costs.



Maintenance benefits

Manage machine maintenance easily – accurate hours monitoring and service alerts improve maintenance planning, while real-time location data helps you manage your fleet. Critical machine alerts and maintenance history records are also available.



Security benefits

Livelink's real-time geofencing alerts tell you when machines move out of predetermined zones, and real-time curfew alerts inform you of unauthorised usage. Further benefits include real-time location information, advanced ECU matching (pairs Livelink with the immobiliser or ECU), and PIN code management (to remotely authorise usage – perfect for plant hire).



VALUE ADDED.

JCB'S WORLDWIDE CUSTOMER SUPPORT IS FIRST CLASS. WHATEVER YOU NEED AND WHEREVER YOU ARE, WE'LL BE AVAILABLE QUICKLY AND EFFICIENTLY TO HELP MAKE SURE YOUR MACHINERY IS PERFORMING TO ITS FULL POTENTIAL.



1

1 Our Technical Support Service provides instant access to factory expertise, day or night, while our Finance and Insurance teams are always on hand to provide fast, flexible, competitive quotes.

2 The global network of JCB Parts Centres is another model of efficiency; with 16 regional bases, we can deliver around 95% of all parts anywhere in the world within 24 hours. Our genuine JCB parts are designed to work in perfect harmony with your machine for optimum performance and productivity.

Note: JCB LIVELINK and JCB ASSETCARE may not be available in your region, so please check with your local dealer.

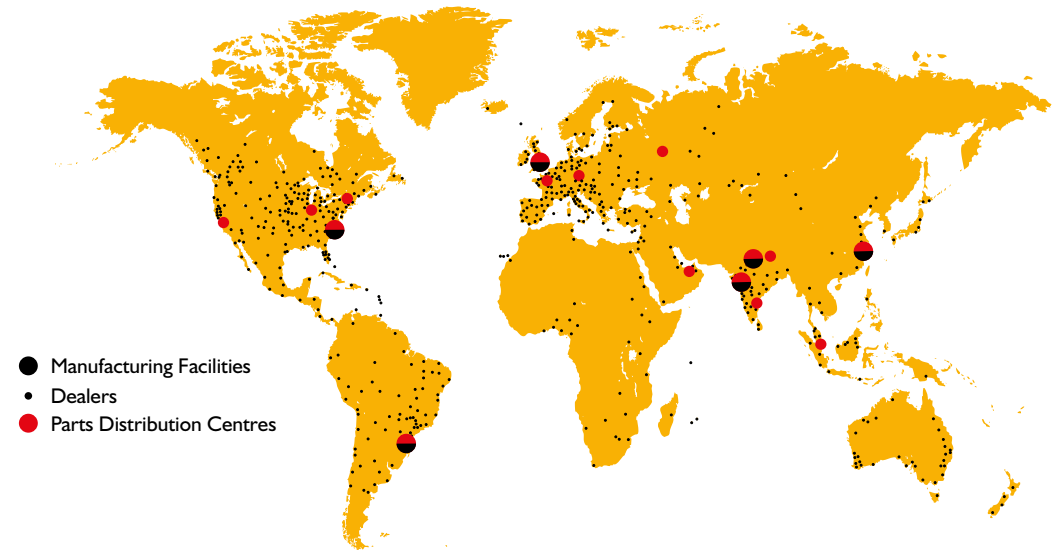


2

3 JCB Assetcare offers comprehensive extended warranties and service agreements, as well as service-only or repair and maintenance contracts. Irrespective of what you opt for, our maintenance teams around the world charge competitive labour rates, and offer non-obligation quotations as well as fast, efficient insurance repair work.

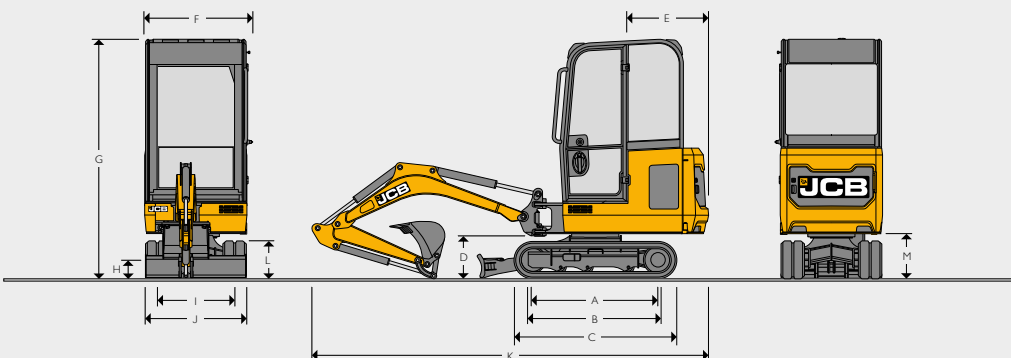


3



- Manufacturing Facilities
- Dealers
- Parts Distribution Centres

STATIC DIMENSIONS



Machine model		18z-1	19c-1	19C-1 PREMIUM
A	Sprocket idler centres	mm 1218	1218	1218
B	Track length on ground	mm 1220	1220	1220
C	Undercarriage overall length - rubber	mm 1578	1578	1578
	Undercarriage overall length - steel	mm 1578	1578	1578
D	Kingpost clearance	mm 409	409	409
E	Tailswing radius	mm 685	1103	1103
F	Overall width of superstructure	mm 996	996	996
G	Height over cab	mm N/A	2324	2324
	Height over canopy	mm 2340	2342	2342
H	Ground clearance	mm 162	162	162
I	Track gauge - retracted/extended	mm 750-1110	750-1110	750-1110
J	Width over tracks / rubber / steel - retracted	mm 980	980	980
	Width over tracks / rubber / steel - extended	mm 1330	1330	1330
K	Transport length	mm 3547	3860	3862
L	Track height	mm 367	367	367
M	Counterweight clearance	mm 434	434	434

ENGINE

Machine model	18z-1, 19c-1, 19C-1 PREMIUM	
Model	403D-07	
Fuel	Diesel	
Cooling	Water cooled	
Gross power ISO 14396	kW	11.7 @ 2550 rpm
Net power	kW	10.8 @ 2550 rpm
Max. torque ISO 14396	Nm	45.6 @ 2000 rpm
Displacement	cc	762
Gradeability	degrees	35°
Starter motor	kW	1.2
Battery	volt / amps	12V / 65AH
Alternator	amps (aircon)	60

UNDERCARRIAGE

Machine model		18z-1	19c-1	19C-1 PREMIUM
		Retractable	Fixed Optional	Retractable
No. of bottom rollers		3	3	3
Track width rubber	mm	230	230	230
Track width steel	mm	230	230	230
Track tensioning (rubber)	kg/cm ²	15-25	15-25	15-25
Track tensioning (steel)	kg/cm ²	25-40	25-40	25-40
Travel speed – low	kph	2.4	2.4	2.4
Travel speed – high	kph	4.1	4.1	4.1
Tractive effort	kN	13.2	13.2	13.2

HYDRAULIC SYSTEM

Machine model		18z-1	19c-1	19C-1 PREMIUM
Pump	cc	18	18	18
Nominal output @ 2000rpm	lpm	36	36	36
Excavator/track main relief pressure	bar	235	235	235
Slew main relief pressure	bar	167	167	167
Auxiliary hydraulic pressure (Aux 1)	bar	200	200	200
Auxiliary hydraulic pressure (Aux 2)	bar	N/A	N/A	200
Auxiliary hydraulic flow (Aux 1)	lpm	32	32	32
Auxiliary hydraulic flow (Aux 2)	lpm	N/A	N/A	32
Hydraulic pump		Piston	Piston	Piston

WEIGHTS

Machine model		18Z-1		19C-1		19C-1 PREMIUM	
		Canopy	Cab	Canopy	Cab	Canopy	Cab
Operating weight*	kg	1749	1830	1910	1863	1943	
FOPS (Falling Object Protective Structure) guard	kg	N/A	N/A	15	N/A	15	
Steel tracks	kg	81	81	81	81	81	
Long dozer	kg	9	9	9	9	9	
Mechanical quickhitch	kg	14	14	14	14	14	
Hydraulic quickhitch (without hoses)	kg	N/A	N/A	N/A	24	24	
Gravemaster dipper	kg	N/A	N/A	N/A	5	5	
Shipping weight**	kg	1655	1736	1816	1769	1849	
Ground bearing pressure (rubber tracks)	kg/cm ²	0.33	0.35	0.36	0.36	0.37	
Ground bearing pressure (steel tracks)	kg/cm ²	0.35	0.36	0.38	0.38	0.39	
Transport weight (operator weight - 75kg)	kg	1674	1755	1835	1788	1868	

*Operator weight to ISO 6016 including cab/canopy, rubber tracks, 950 dipper (19C-1 & 18Z-1), 1100 dipper (19C-1 PREMIUM), 300mm bucket, full tanks and a 75kg operator. **Shipping weight to ISO 6016 is mass of the base machine without operator, with fuel level at 10% of tank capacity.

SERVICE CAPACITIES

Machine model		18Z-1	19C-1	19C-1 PREMIUM
Fuel tank	ltr	20.5	18.5	18.5
Engine coolant	ltr	Canopy model: 4.2	Canopy model: 4.2 Cab model: 4.7	Canopy model: 4.2 Cab model: 4.7
Engine oil	ltr	2.5	2.5	2.5
Hydraulic system	ltr	28	28	28
Hydraulic tank	ltr	15	15	15

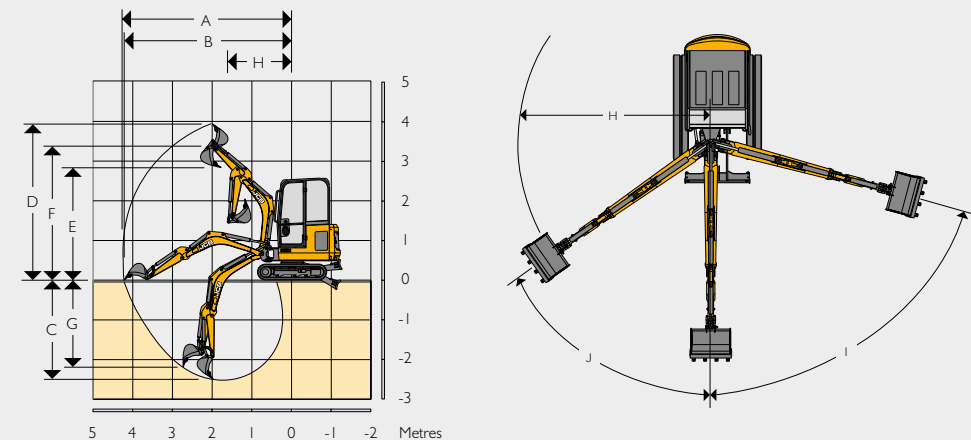
OPERATOR ENVIRONMENT

Machine model		18Z-1	19C-1	19C-1 PREMIUM
Cab/canopy height	mm	2346	2330 / 2347	2330 / 2347
Cab/canopy height with FOGS guard LEVEL I	mm	2346	2349 / 2347	2349 / 2347
Cab/canopy length with FOGS guard LEVEL I	mm	1107	1236 / 1427	1236 / 1427
Cab/canopy length	mm	1107	1202 / 1427	1202 / 1427
Cab/canopy width	mm	978	976 / 978	976 / 978

DOZER

Machine model		18Z-1	19C-1	19C-1 PREMIUM
Dozer length (STD) centre of boss	mm	787	787	787
Max. height above ground	mm	239	239	239
Dig depth below ground	mm	225	225	225
Approach angle	degrees	25.3	25.3	25.3
Width (without wings)	mm	980	980	980
Width (with wings)	mm	1340	1340	1340
Height	mm	234	234	234

WORKING RANGE



		18Z-1 / 19C-1 / 19C-1 PREMIUM (950mm Dipper)	18Z-1 / 19C-1 / 19C-1 PREMIUM (1100mm Dipper)	19C-1 PREMIUM (1344mm Gravemaster Dipper)
	Boom length	mm	1800	1800
A	Max. digging reach	mm	3899	4247
B	Max. digging reach on ground	mm	3834	4220
C	Max. digging depth – dozer up	mm	2271	2665
	Max. digging depth – dozer down	mm	2426	2819
D	Max. digging height	mm	3556	3847
E	Max. dump/load-over height	mm	2598	2818
F	Max. height to dipper nose pivot pin	mm	3116	3335
G	Max. vertical wallcut depth	mm	1933	2375
H	Min. front swing radius (no offset)	mm	1488	1565
	Min. front swing radius (fully offset)	mm	1171	1236
I	Boom swing left	degrees	75°	75°
J	Boom swing right	degrees	55°	55°
	Bucket rotation	degrees	201°	201°
	Dipper rotation	degrees	126°	126°
	Bucket tearout (power position)	kN	18	18
	Dipper tearout	kN	10.1	7.9
	Slew speed	rpm	7.9	7.9

EQUIPMENT							
Machine model	18Z-1	19C-1	19C-1 PREMIUM	Machine model	18Z-1	19C-1	19C-1 PREMIUM
SERVICE AND MAINTENANCE				PROTECTION AND SAFETY			
Beacon ready kit	•	•	•	ROPS, TOPS & FOGS certified canopy	•	•	•
Single element air cleaner	•	•	•	Internal lockable toolbox	•	•	•
500 hours dig end greasing intervals	•	•	•	Protected boom work light	•	•	•
Grease gun & cartridge	+	+	+	2GO hydraulic isolation	•	•	•
Toolkit	+	+	+	Cesar Data Tag (UK ONLY)	•	•	•
Automatic glow plug			+	Battery isolator (Europe)	•	•	•
TRACKS AND UNDERCARRIAGE				EXTERNAL EQUIPMENT			
230mm short pitch rubber tracks	•	•	•	Standard dipper (mm)	950	950	1100
Two speed tracking	•	•	•	Tie down points	•	•	•
Retractable undercarriage	•	•	•	ROPS & TOPS certified cab		+	+
Extendable dozer blade	•	•	•	LED beacon	+	+	+
Auto kick down track motors			•	Dipper options (mm)	1100	1100	950/1344
Heavy duty recoiled tracked tensioners	•	•	•	Halogen work lights	+	+	+
230mm long pitch rubber tracks	+	+	+	Heavy duty kingpost	•	•	•
230mm steel tracks	+	+	+	Exterior mirrors	+	+	+
Long dozer blade	+	+	+	Full bucket range	+	+	+
Auto kick down track motors	+	+		Mechanical quick hitch	+	+	+
OPERATOR STATION				Hydraulic quick hitch			
Full audio visual warning systems	•	•	•	Thumb ready dipper	+	+	+
Full control isolation	•	•	•	STANDARD •			
12 volt power socket	•	•	•	OPTIONAL +			
ISO servo controls	•	•	•				
Static seat	•	•	•				
Electro-proportional thumb controlled dual flow auxiliary			+				
Dual patterned controls (ISO/SAE changeover)	+	+	+				
Fabric suspension seat		+	+				
Vinyl suspension seats	+	+	+				
LED interior lights		+	+				
Sunblind	+	+	+				
Fire extinguisher	+	+	+				
Track lever pedals	+	+	+				
Full radio kit		+	+				
HYDRAULICS							
Hydraulic slew travel lock	•	•	•				
Single acting auxiliary circuit	•	•	•				
Variable displacement pump	•	•	•				
Straight line travel circuit	•	•	•				
ORFS hydraulics	•	•	•				
Quick release auxiliary couplers	•	•	•				
Double acting auxiliaries	+	+	+				
Auxiliary vent			+				



ONE COMPANY, OVER 300 MACHINES.

Your nearest JCB dealer

Mini Excavator 18z-1/19c-1/19c-1 PREMIUM

Transport weight: 1755-1868kg Net engine power: 10.8kW

JCB Sales Limited, Rokester, Staffordshire, United Kingdom ST14 5JP.

Tel: +44 (0)1889 590312 Email: salesinfo@jcb.com

Download the very latest information on this product range at: www.jcb.com

©2009 JCB Sales. All rights reserved. No part of this publication may be reproduced, stored in a retrieval system, or transmitted in any form or by any other means, electronic, mechanical, photocopying or otherwise, without prior permission from JCB Sales. All references in this publication to operating weights, sizes, capacities and other performance measurements are provided for guidance only and may vary dependant upon the exact specification of machine. They should not therefore be relied upon in relation to suitability for a particular application. Guidance and advice should always be sought from your JCB Dealer. JCB reserves the right to change specifications without notice. Illustrations and specifications shown may include optional equipment and accessories. All images are correct at time of print. The JCB logo is a registered trademark of J.C. Bamford Excavators Ltd.

